

# **McCULLOCH**®

## ***PARTNER*** **Poulan**®

### ILLUSTRATED PARTS LIST

**ELECTRAMAC 330-335-340** / 1650W

**ELECTRAMAC 312-314-316** / 1500W

**EUROMAC S312-S314-S316** / 1500W

**PARTNER P1535** / 1500W

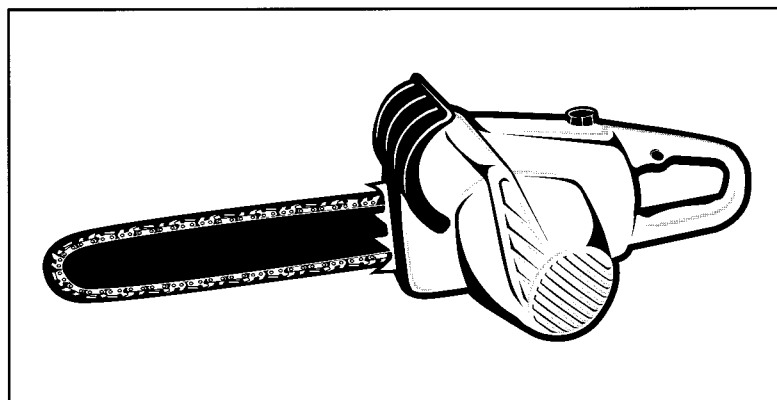
**PARTNER P1640** / 1650W

**POULAN 530-535** / 1500W

**PARTNER P1540** / 1500W

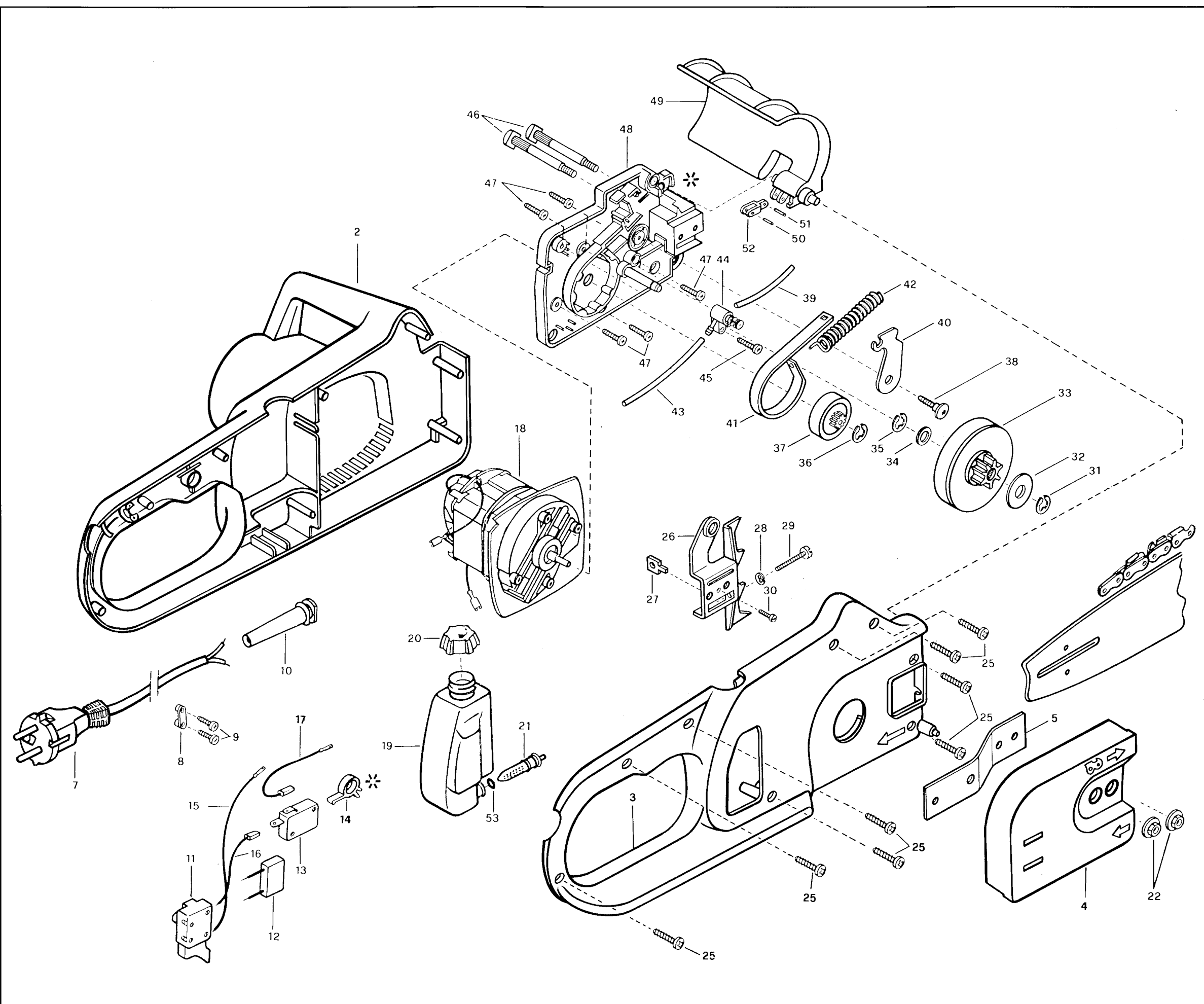
SERIAL NUMBER PREFIX 01

**CE**



March 2000

2	241518	yellow/giallo/jaune/gelb	1
	241840	grey/grigio/gris/grau	1
	241847	gold/oro/or/gold	1
	241969	green/verde/vert/grün	1
3	241519	yellow/giallo/jaune/gelb	1
	241841	grey/grigio/gris/grau	1
	241848	gold/oro/or/gold	1
	241970	green/verde/vert/grün	1
C 4	248317		1
C 5	● 241066		1
C 7	241050 (SCHUKO)		1
C	241668 (UK)		1
C	241033 (CH)		1
8	241052		1
9	241077		2
10	241051		1
C 11	241053		1
12	240794		1
13	229797		1
14	241048		1
15	241055		1
16	241056		1
17	241057		1
C 18	FIGURE 2		
C 19	241059		1
B 20	241060		1
C 21	241070		1
A 22	235217		2
25	240862		8
26	241036		1
A 27	241037		1
B 28	235367		1
B 29	241167 M5x30		1
30	229082		1
B 31	229137		1
C 32	241075		1
B 33	241038		1
C 34	241074		1
B 35	229137		1
C 36	241073		1
C 37	241041		1
38	241045		1
C 39	229743		1
40	241044		1
41	241500		1
42	241451		1
C 43	229743		1
B 44	241183		1
45	240862		1
A 46	241035		2
47	240862		5
48	241029		1
C 49	247717		1
50	● 229394		1
51	● 241144		1
52	● 241043		1
C 53	241126		1



**FIGURE 1**

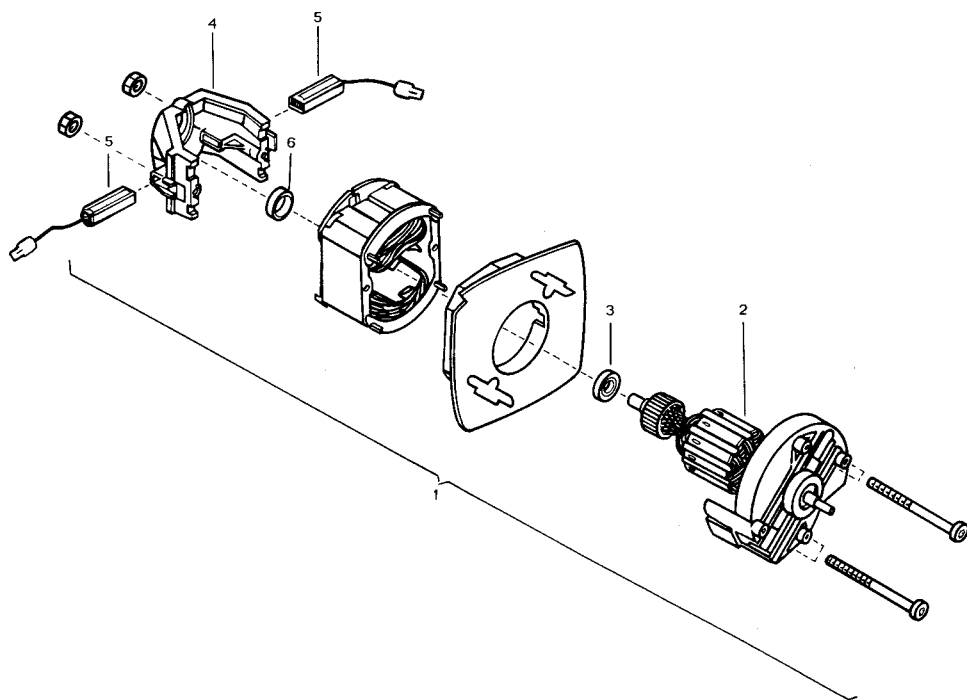
A = high moving - alta rotazione - haute demande - große Nachfrage  
 B = medium moving - media rotazione - moyenne demande - mittelmäßige Nachfrage  
 C = slow moving - bassa rotazione - basse demande - wenige Nachfrage

**1650 W**

C 1	241837	1
C 2	● 00258744	1
C 3	● 00216404	1
C 4	● 00248957	1
C 5	● 00248956	2
C 6	● 00216400	1

**1500 W**

C 1	241031	1
C 2	● 00258744	1
C 3	● 00216404	1
C 4	● 00248957	1
C 5	● 00248956	2
C 6	● 00216400	1

**FIGURE 2**

A = high moving - alta rotazione - haute demande - große Nachfrage  
B = medium moving - media rotazione - moyenne demande - mittelmäßige Nachfrage  
C = slow moving - bassa rotazione - basse demande - wenige Nachfrage